

# CPR915X

Product Family	Drawer
Commercial height	15 cm
Type	Reheat



## Aesthetics

Aesthetic Colour Finishing Material	Victoria Stainless steel Fingerproof Stainless steel	Type of steel Logo Logo position	Brushed Silk screen Inside
-------------------------------------	---	--	----------------------------------

## Controls

Type of control setting	Control knobs	Control knobs	Standard
Type of temperature control	Electro-mechanic	Controls colour	Steel effect
No. of controls	1		

## Programme / Functions

Defrost	Yes
Proofing	Yes
Mug warmer	Yes
Keep warm	Yes
Dish warmer	Yes
Reheating	Yes

## Technical Features

Opening mechanism	Push-pull	Capacity	21 l
Base material	Stainless steel	Type of heating	Fan assisted
Max weight allowance	15 kg		

---

<b>Maximum drawer loading weight</b>	85 kg	<b>Accessories included</b>	Silicone antislip mat
--------------------------------------	-------	-----------------------------	-----------------------

## Electrical Connection

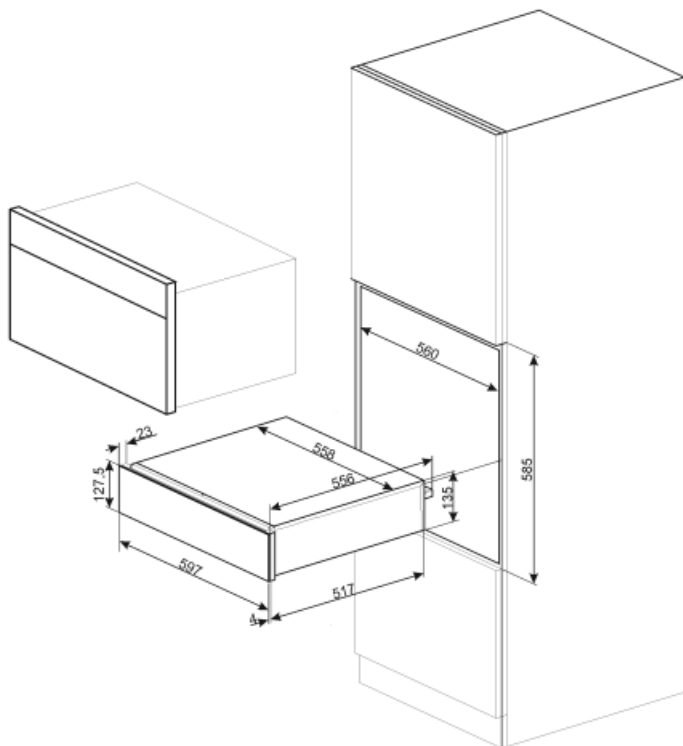
---

<b>Plug</b>	(F;E) Schuko	<b>Voltage (V)</b>	220-240 V
<b>Nominal power</b>	400 W	<b>Frequency (Hz)</b>	50-60 Hz
<b>Current</b>	2 A		

## Logistic Information

---

<b>Width (mm)</b>	597 mm	<b>Product Height (mm)</b>	135 mm
<b>Depth (mm)</b>	538 mm		



---

## Not included accessories

---

### KITCABLE90UK

Cable with IEC connector and UK plug

## Benefit (TT)

---

### Functions available

Functions can be selected directly from the knob: keep warm, reheating, defrost, dish warmer, proofing and mug warmer

### Steel base

Presence of non-slip silicone mat; removable and useful for placing dishes without them slipping, to avoid soiling the base of the drawer and to prevent scratches.

### Push-pull door opening

With a simple push, the drawer opens and then closes again by pushing it back.