

TESLA

DECORATIVE CHIMNEY HOOD

DC600SX

User Manual

ENG

BiH/
CG

SRB



Product images are for illustrative purposes only and may differ from the actual product.

Dear Customer,
 Thank you very much for your preference for products.
 We recommend you to read the instruction manual carefully and keep it handy before you use this chimney hood so that it maintains its quality just like the first day you bought it and serves you most efficiently.

 NOTE

This Instruction Manual has been prepared for a variety of models. Some of the features specified in the Manual may not exist in your device. These features are marked with *.

Our devices are designed for domestic use. They are not for professional use.

PLEASE READ THE INSTRUCTIONS BEFORE YOU INSTALL OR USE THIS DEVICE.

This product has been manufactured in an environmentally-friendly and modern plants without harming the nature.

Conforms with the AEEE Regulations.

SAFETY INSTRUCTIONS

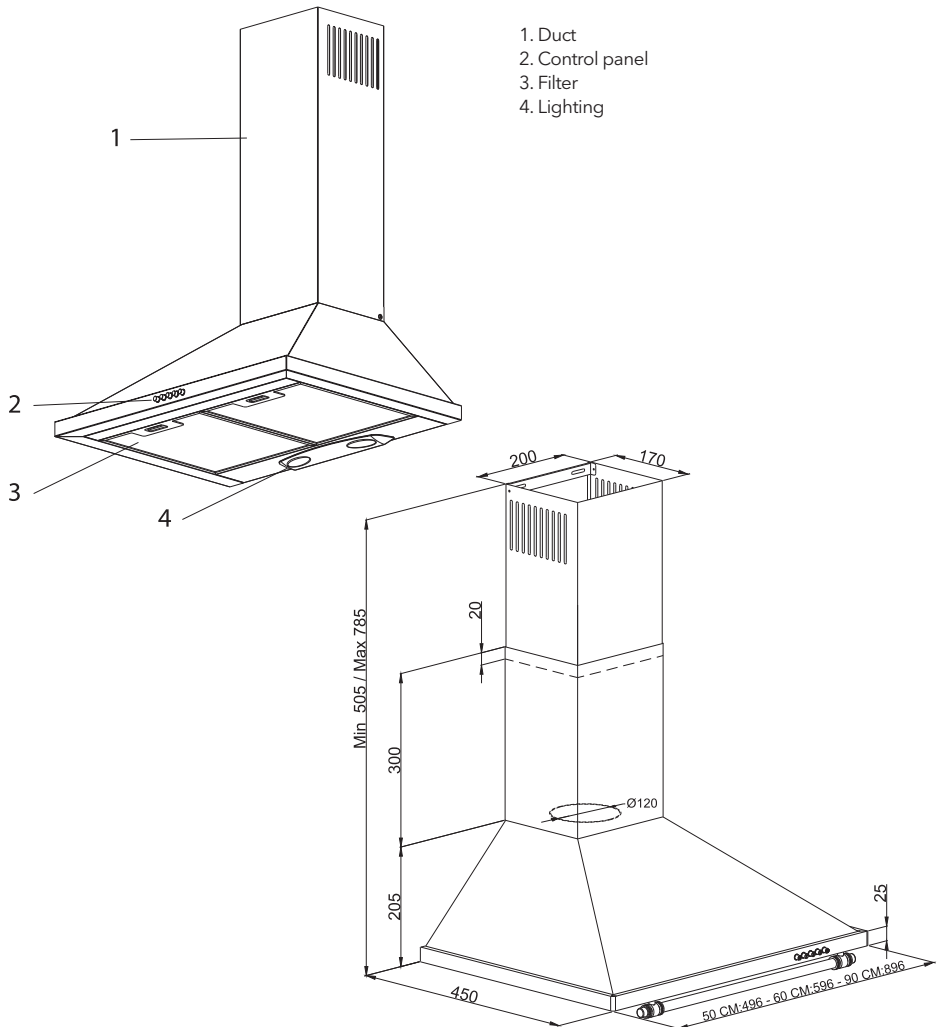
1. This product is designed for domestic use.
2. Product Voltage is 220-240 Volts 50Hz.
3. Power cord of your product is fitted with grounded plug. This cord must be plugged into a grounding socket.
4. All electrical installation must be done by a qualified electrician.
5. Installation by unqualified persons may lead the product run with lower performance, be damaged or cause accidents.
6. Power supply cord should not be jammed or crushed. Power cord should not be close to hobs, etc, otherwise it may melt and cause fire.
7. Do not plug in the product into a socket before the installation is complete.
8. Make sure the mains switch is easily accessible in order to cut the power of the product in case of any danger.
9. Do not touch the bulbs of your product if used for a long period of time. The bulbs will be hot and may burn your hand.
10. Kitchen chimneys are designed for domestic use. If used for other purposes, it may lead to a failure and not be covered under the warranty.
11. Follow the authorized agencies' rules and regulations regarding letting out the air. (This warning does not apply to usage with non-ducted chimney hoods.)
12. Food that may burst into flames should not be cooked under the device.
13. Turn on the product after you place pots, pans, etc on the hobs. Otherwise excess heat may cause deformation of some parts of your product.
14. Do not leave hot oil on the hobs. Pans with hot oil inside may cause self-ignition.
15. When cooking i.e. deep frying, hot oil may burst into flames. Be careful on your curtains and cloths.
16. Make sure you replace the filters at the recommended intervals. Filters not replaced on time carry fire risk due to increase of grease on them.
17. Do not use non-fire-resistant materials instead of filters.
18. Keep the potentially dangerous packaging materials away from children.
19. Do not use your product without a filter, do not remove filters when the product is operating.
20. In case of start of flames, cut off the power of the chimney fan and cooker.(Cut off the power by unplugging the device).
21. Turn off the hobs before you remove pots, pans, etc.
22. If the cleaning is not done periodically, your product may carry fire risk.
23. Cut off the power supply before any maintenance work. (Cut off the power by unplugging the device.)
24. For duct-out chimney hoods, use pipes with a diameter of 150 mm or 120 mm. You should minimize the ducting distance with minimum bends.
25. Make sure your children do not play with the product. Do not let young children operate the product.

26. If the power cord is damaged, the damaged cord should be replaced by the manufacturer or its service agent or similarly specialized personnel in order to avoid a dangerous situation.
27. In case of start of flames, cut off the power of the chimney fan and cooker and cover the flame. Do not use water to extinguish the fire.

**WARNING!**

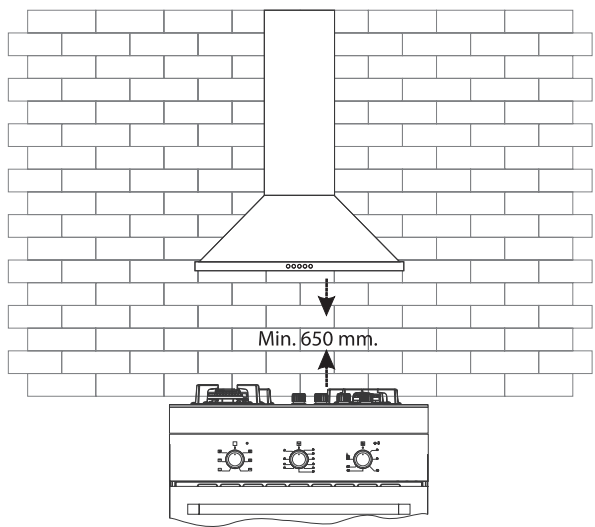
Install "MAX. 6 A" fuse for the extractor fan.

INTRODUCTION AND TECHNICAL DRAWING OF THE CHIMNEY HOOD



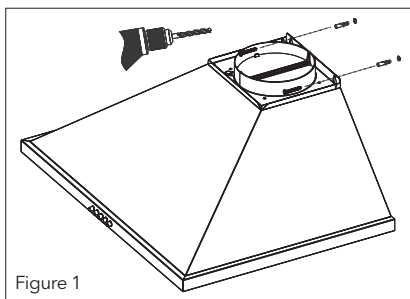
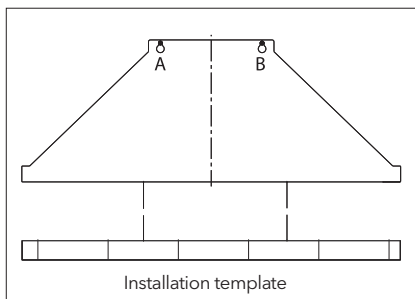
INSTALLATION OF CHIMNEY HOOD

Location Of The Chimney Hood



Mounting Chimney Hood On The Wall

2 drywall (8mm) anchors are nailed into the holes drilled according to installation template (A,B). They are fixed into the wall through 2 key holes by screws as shown in **Figure 1**.

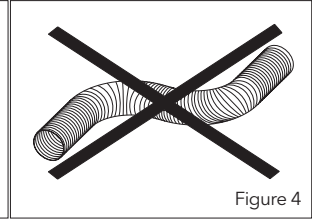
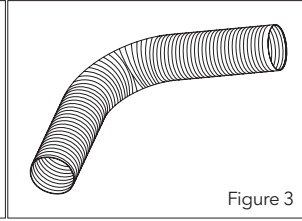
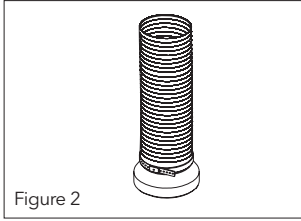


Mounting The Aluminum Pipe

Place the aluminum pipe on the plastic duct. Place the other end of the pipe into the air outlet in the kitchen. (Figure 2)

Twists and bends on the aluminum pipe may cause minimizing the air suction so avoid unnecessary bends and twists as much as possible. (Figure 3-4) Place the inner duct and outer duct carefully on the product.

Fix the inner duct to inner duct connection plate with 2 screws.



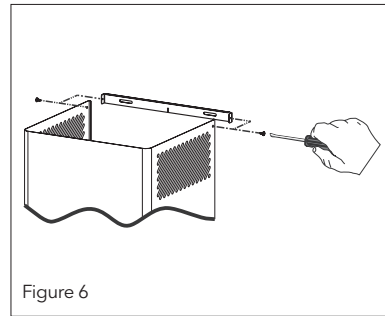
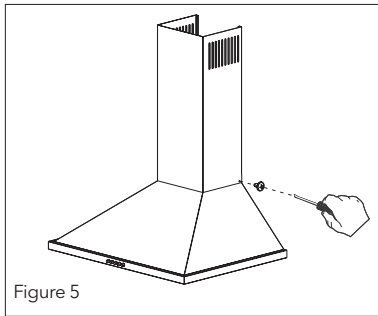
Installation Of Outer Duct

Put the outer duct on the chimney hood and fix to it by 2 screws (**Figure 5**)

Installation of Inner Duct Mounting Bracket

2 fixing holes are drilled on the wall with $\varnothing 6$ mm electric drill at a suitable height and place to fix the inner duct hanger plate onto the wall. 6mm drywall anchors are nailed into those holes and inner duct mounting brackets are pinned down. (**Figure 6**)

At the last step of chimney hood installation, the inner duct is screwed on the inner duct mounting brackets.

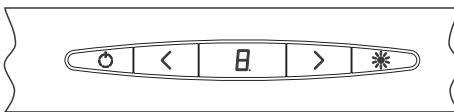


NOTE

Packaging may not include inner duct according to model.

FUNCTIONS OF THE CHIMNEY HOOD







Control Panel



Digital Control: Touch the symbols on the keys. (On/Off function and timer are on the same key; if pressed for 1 sec on-off function will operate.

If pressed for 3 sec. 15 minutes timer will operate.

Symbols Functions


	Switches on and off the motor. (Except for the lighting)		Increases the speed when the motor is running.
	Decreases the speed when the motor is running.		If pressed this symbol, the motor turns itself off 15 minutes later.
	Display		Only switches on and off the lighting system.

NOTE

When the product operates for a certain time, the aluminum filters get dirty and the digital display shows "C" Clean sign. This means the filters should be cleaned. Press the speed reduction key for 5 secs in order to delete "C" sign from the display.

Push Button: Pressing the buttons will enable different functions. In order to disable them, press only the button Off.



OFF	Stops the motor, except for the ligh	MAX	Intense speed
MIN	Low speed		It turns on and off the lighting system only.
MID	Medium speed		

OPERATING THE CHIMNEY HOOD

Chimney hood is used in ducted and non-ducted kitchens.

In Ducted Use

In ducted use, extractor fan should be connected to an air outlet to send the air out. In order to use your chimney hood efficiently, make sure length of the pipe system between the chimney hood and the air outlet should be short. Your product has been manufactured suitable for ducted and non-ducted use.

Round Charcoal Filter

In kitchens with no duct, a round charcoal filter should be reintroduced the clean air into the kitchen. You can obtain the round filter from your service or dealer.

Use Of Charcoal Filter

- Our products allow the installation of charcoal filter.
- Regardless of use of charcoal filters or not, grease filters should be installed on the product. Do not use your product without grease filter.
- Use of charcoal filteris as follows.

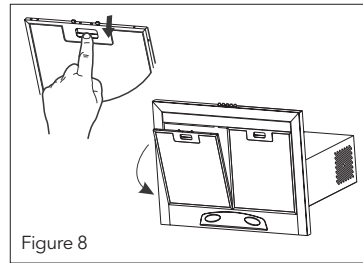
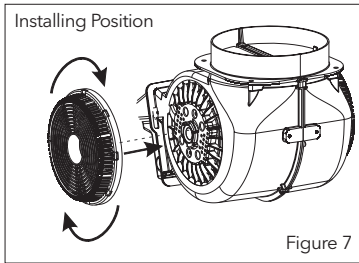
- Cut off the device power before replacing charcoal filter.
- Charcoal filter is used in the kitchens with no duct therefore should be replaced in every 3-5 months depending on the frequency of use.
- Charcoal filter should never be washed.

Installation Of Charcoal Filter

- Charcoal filters are used in the kitchens with no duct.
- Charcoal filters are installed onto both sides of the fan as shown in Figure 7 by turning 10 degrees clock-wise.
- When uninstalling, reverse the same procedure.

Use Of Aluminum Cartridge Filter

Aluminum cartridge filter holds dust and grease in the air. Chimney hood should never be used without aluminum cartridge filter. **(Figure 8)**



REPLACING THE BULB

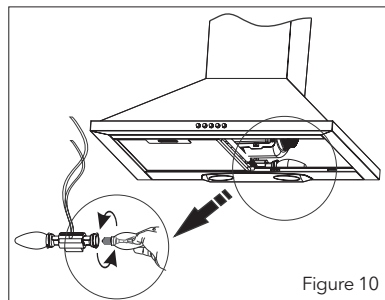
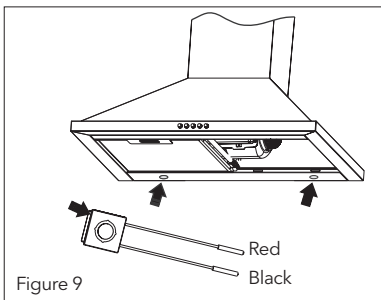
Always switch off the electrical supply before carrying out any operation.

Led

- LED bulb does not operate is possible to remove as shown in **Figure 9**
- A new bulb to be supplied from service points is replaced with the same reoperation.
- Cables are designed with sockets. The plug in should be made according to previous connection.

Candle Type Halogen Bulb

- Bulb does not operate is possible to remove as shown in. **(Figure 9)**
- A new bulb with the same features is replaced with removed bulb.
- Remove the holder on the LED bulb. Put the new LED bulb on the holder housing of the LED bulb you removed as shown in **Figure 10**.



MAINTENANCE OF THE CHIMNEY HOOD

- Device should be unplugged or switch should be turned off before cleaning and maintenance procedures.
- Metal filter should be cleaned once a month with hot soapy water or in the dishwasher, if possible. (60 °C)
- Remove the aluminum cartridge filter by pressing on the spring catches on the side. Do not refit before drying after wash.
- Outer surface of the extractor hood should be wiped with a damp cloth soaked with soapy water.
- Make sure electronic parts do not contact with water or similar materials.
- For inox products, using inox cleaning and maintenance products available in the market will provide longer usage life for your device.
- Aluminum filters can be washed in dishwasher. After several washes, aluminum filters may change colour. This is normal and filters do not need to be replaced.

WARNING!

When used with devices which use fuel (heaters working with gas, diesel fuel, coal or firewood, water heaters, etc) and the air in the environment; should be used cautiously. The chimney hood sending the air out in the environment may affect the burning adversely.

This warning is not applicable to non-ducted use.

Efficient Use Of Chimney Hood

- When installing the chimney hood to the air duct, use 150/120 mm diameter pipes and use bends as minimum as possible.
- Be ware of cleaning periods of metal filters and replacing times of charcoal filters.
- When dense suction power is not required, use the product in medium setting.
- For right ventilation, the windows in the kitchen leading to the outside should be kept closed.

IF CHIMNEY HOOD DOES NOT WORK

Before contacting the service, make sure the product is plugged and the fuse in the electrical installation is working. Do not do anything that may harm the product.

Service And Spare Parts

You can supply spare parts of your device from your dealer or authorized services. The package includes a list of authorized services with the product.

When you contact your service or dealer to ask for any spare parts, notify them of product model name shown in the product label. When you remove the aluminum cartridge filter, you will see the product label.

Before contacting your service, check your chimney hood against the table below. If problem persists, contact your dealer or authorized service point.

	Check electricity connection (mains voltage should be 220-240 V, Chimney hood should be connected to grounding socket.)	Check motor switch (Motor switch should be on.)	Check bulb switch (Bulb switch should be on.)	Check aluminum filter (Aluminum cartridge filter should be washed once a month in normal use.)	Check bulbs (Bulbs should be in working condition.)	Check air outlet shaft (Air outlet shaft should be unblocked.)	Check charcoal filter (Charcoal filters should be replaced quarterly in normal use.)
Chimney Hood does not work	●	●					
Light bulb is not working	●		●		●		
Chimney hood air suction is poor				●		●	●
Do not send air out (in non-ducted cases)				●			●

ENVIRONMENTALLY-FRIENDLY DISPOSAL



Dispose of packaging in an environmentally-friendly manner.

This appliance is labelled in accordance with European Directive 2012/19/EU concerning used electrical and electronic appliances (waste electrical and electronic equipment - WEEE). The guideline determines the frame work for the return and recycling of used appliances as applicable throughout to the EU.

PACKAGE INFORMATION

Packaging materials of the product are manufactured from recyclable materials in accordance with our National Environment Regulations. Do not dispose of the packaging materials together with the domestic or other wastes. Take them to the packaging material collection points designated by the local authorities.

Cenjeni kupci,

Srdačno Vam zahvaljujemo što ste izabrali ovaj uređaj.

Preporučujemo Vam da pažljivo pročitate ovaj priručnik i da ga držite pri ruci prije nego što počnete koristiti kuhinjski aspirator. Tako biste osigurali da proizvod ostane kvalitetan kao i prvog dana i da bi Vam služio na najefikasniji način.

NAPOMENA

Ovaj priručnik za upotrebu odnosi se na nekoliko različitih modela. Vaš uređaj ne mora sadržavati sve karakteristike navedene u Priručniku. Takve karakteristike označene su zvjezdicom (*).

Naši uređaji su dizajnirani za kućnu upotrebu i nijesu namijenjeni profesionalnoj upotrebi.

MOLIMO VAS PROČITAJTE UPUTSTVA PRIJE POSTAVLJANJA ILI UPOTREBE UREĐAJA

Ovaj uređaj proizveden je u ekološki prijateljskim i modernim fabrikama bez štetnog djelovanja na okolinu.

Uređaj je u skladu sa EEE direktivama

SIGURNOSNA UPUTSTVA

1. Ovaj proizvod je namijenjen za kućnu upotrebu.
2. Voltaža proizvoda iznosi 220-240 volti 50 Hz.
3. Kabl za napajanje Vašeg uređaja opremljen je utikačem sa uzemljenjem i obavezno se mora uključiti u utičnicu sa uzemljenjem.
4. Sve električne instalacije mora obaviti kvalifikovani električar.
5. Ako instalaciju obavi nekvalifikovana osoba, može doći do smanjene efikasnosti uređaja, njegovog oštećenja ili nezgode.
6. Kabl za napajanje ne smije se gnječiti ili lomiti. Takođe, ne smije biti preblizu ploče za kuvanje i sl., jer se može istopiti i izazvati požar.
7. Ne spajajte uređaj na električnu mrežu prije završetka instalacije.
8. Pobrinite se da glavna sklopka bude lako dostupna u slučaju potrebe za brzim isključenjem uređaja.
9. Ne dirajte sijalice na uređaju koji je uključen neko vrijeme. Sijalice će se zagrijati i mogu Vas opeći.
10. Kuhinjski aspiratori namijenjeni su kućnoj upotrebi. Ako se koriste u druge svrhe, na njima mogu nastati oštećenja koja neće biti pokrivena garancijom.
11. Sledite uputstva i pravila ovlašćenih servisa o izduvavanju vazduha. (Ovo upozorenje ne odnosi se na kuhinjske aspiratore bez ventilacionog kanala.)
12. Hrana koja se može zapaliti se ne smije kuvati ispod uređaja.
13. Uključite uređaj nakon postavljanja šerpi, tiganja i dr. na ploču za kuvanje.
14. U protivnom, prevelika toplota mogla bi da deformiše djelove Vašeg uređaja.
15. Ne ostavljajte vruće ulje na ploči za kuvanje. Posude sa vrućim uljem mogu se zapaliti.
16. Prilikom kuvanja, tj. prženja u „dubokom“ ulju, vruće ulje može se zapaliti. Pazite na zavjese i druge platnene materijale.
17. Zamijenite filtere u preporučenom roku. Filteri koji se ne zamijene na vrijeme predstavljaju opasnost od požara zbog povećanja masnoće na njima.
18. Nemojte koristiti materijale neotporne na vatru umjesto filtera.
19. Držite potencijalno opasan ambalažni materijal daleko od djece.
20. Nemojte koristiti uređaj bez filtera; nemojte skidati filtere dok je uređaj uključen.
21. U slučaju požara, isključite aspirator i šporet. (Izvcite utikače iz struje.)
22. Isključite ploču za kuvanje (plamenike) prije nego što sklonite šerpe, tiganje i sl.
23. Ako ga redovno ne čistite, Vaš uređaj predstavljaće rizik za požar. Isključite uređaj iz električne mreže prije bilo kakvog održavanja. (Izvcite utikač kabla za napajanje iz utičnice.)
24. Za kuhinjske aspiratore sa ventilacionim kanalom koji izduvava vazduh napolje, koristite cijevi prečnika 150 ili 120 mm. Nastojite minimizirati udaljenost cijevi sa najmanjim mogućim brojem savijanja.
25. Pobrinite se da se Vaša djeca ne igraju uređajem. Ne dopuštajte djeci da upravljaju njime.

26. Ako je kabl za napajanje oštećen, zamjenu treba da izvrši proizvođač, njegov ovlašćeni serviser ili kvalifikovana osoba kako bi se uklonio rizik od opasnosti.

27. U slučaju pojave vatre, isključite aspirator i šporet

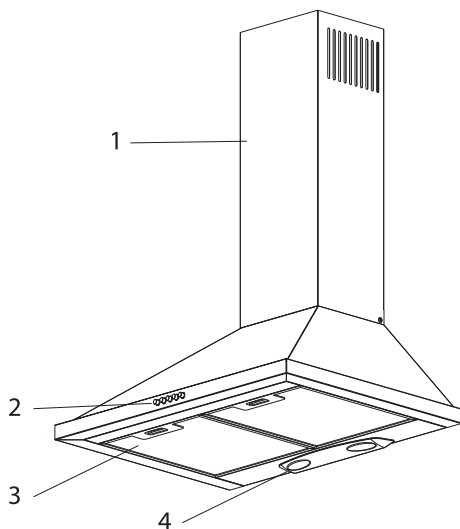
iz struje i pokrijte plamen. Nemojte vatru gasiti vodom.



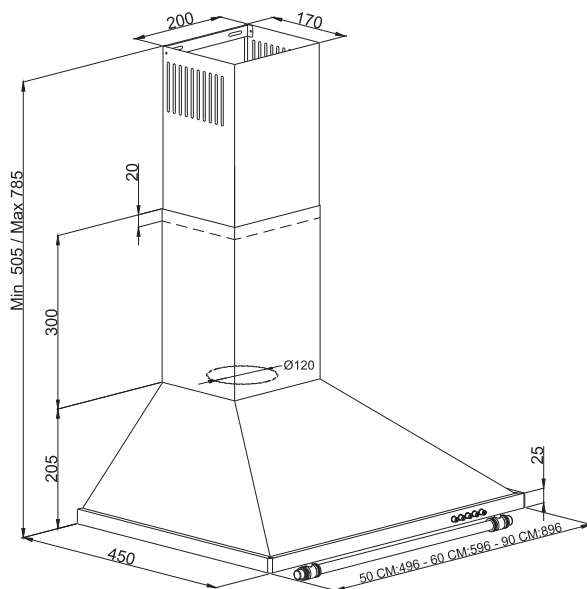
UPOZORENJE!

Instalirajte MAX6A osigurač za ventilator.

UVOD I GRAFIČKI PRIKAZ KUHINJSKOG ASPIRATORA

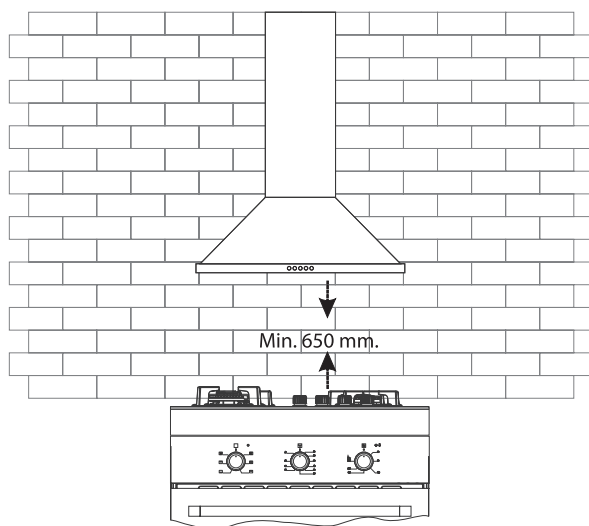


1. Ventilacioni kanal
2. Kontrolna tabla
3. Filter
4. Svijetlo



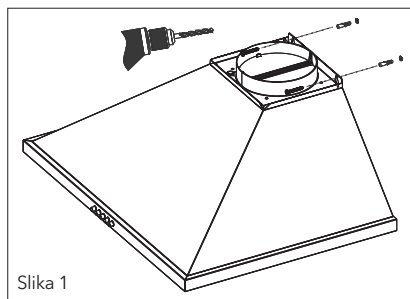
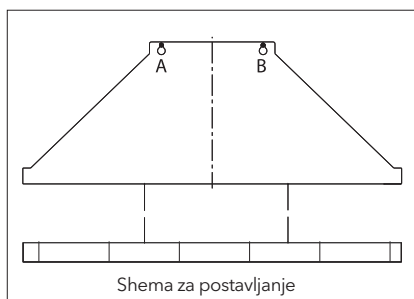
POSTAVLJANJE KUHINJSKOG ASPIRATORA

Položaj kuhinjskog aspiratora



Postavljanje kuhinjskog aspiratora na zid

Dva zidna tipla (8mm) postaviti u rupe izbušene prema shemi za postavljanje (A,B). Učvrstiti ih na zid vijcima kroz dvije rupe, kako je prikazano **na slici 1**.

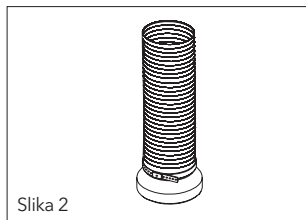


Postavljanje aluminijumske cijevi

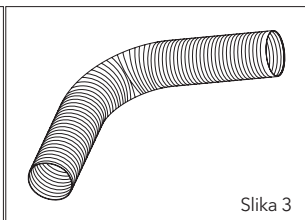
Postavite aluminijumsku cijev na plastični ventilacioni kanal. Postavite drugi kraj cijevi na izdovni otvor u kuhinji (**slika 2**). Zakretanje i savijanje aluminijumske cijevi može smanjiti usisavanje vazduha, stoga izbjegavajte nepotrebno zakretanje i savijanje cijevi koliko god je moguće (**slike 3 i 4**).

Pažljivo postavite unutrašnji i spoljni ventilacioni kanal na uređaj.

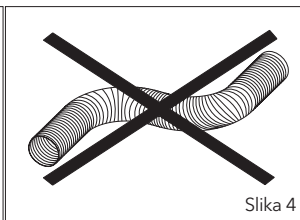
Pričvrstite unutrašnji ventilacioni kanal za njegove nosače sa dva vijka.



Slika 2



Slika 3



Slika 4

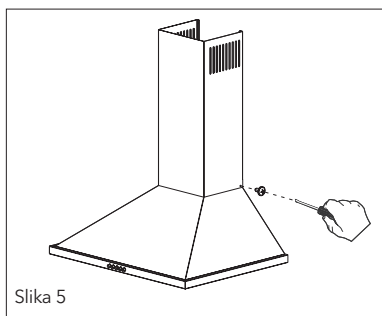
Postavljanje spoljnog ventilacionog kanala

Postavite spoljni ventilacioni kanal na aspirator i pričvrstite ga uz pomoć dva vijka (**slika 5**).

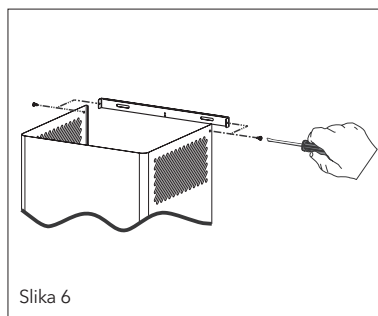
Postavljanje montažnog nosača unutrašnjeg ventilacionog kanala

Pomoću električne bušilice prečnika 6 mm na zidu na odgovarajućoj visini i mjestu izbušiti dvije rupe za postavljanje i fiksiranje nosača unutrašnjeg ventilacionog kanala na zid. U tim rupama postaviti zidne tiplove prečnika 6 mm i na njih pričvrstiti zidne nosače unutrašnjeg ventilacionog kanala (**slika 6**).

U posljednjem koraku postavljanja aspiratora, unutrašnji ventilacioni kanal pričvršćuje se na montažne nosače tog kanala.



Slika 5



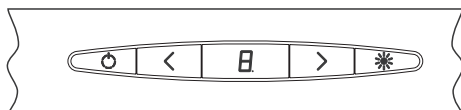
Slika 6

NAPOMENA

Unutrašnji ventilacioni kanal ne nalazi se nužno u Vašem kompletu; to zavisi od modela uređaja.







FUNKCIJE KUHINJSKOG ASPIRATORA

Kontrolna tabla



Digitalno upravljanje: pritisnite simbole na tasterima. (Taster za uključivanje/ isključivanje i vrijeme nalaze se na istom tasteru; pritisak od 1 sekunde ugasiće uređaj, pritisak od 3 sekunde aktiviraće 15-minutni tajmer.

Funkcije simbola

	Uključivanje i isključivanje motora (izuzevši svijetlo)		Povećavanje brzine rada motora.
	Smanjivanje brzine rada motora		Ako se pritisne 3 sekunde, motor će se ugasi nakon 15 minuta.
	Ekran		Uključivanje i isključivanje

NAPOMENA

Kada je uređaj u upotrebi duže vrijeme, aluminijski filter se uprlja i digitalni ekran pokazuje „C”, odnosno znak da je potrebno očistiti filter. Za uklanjanje oznake „C” sa ekrana držite pritisnut taster za smanjenje brzine 5 sekundi.

Taster na pritisak: Pritisak na taster aktiviraće različite funkcije. Kako biste ih zaustavili, pritisnite taster OFF (isključiti).



OFF	Isključivanje motora uređaja, izuzevši svijetlo.	MAX	Najveća brzina
MIN	Najmanja brzina		Uključivanje i isključivanje svijetla
MID	Srednja brzina		

UPRAVLJANJE KUHINJSKIM ASPIRATOROM

Aspiratori se koriste u kuhinjama sa ventilacionim kanalom i bez njega.

Upotreba kuhinjskog aspiratora sa ventilacionim kanalom

Kod upotrebe sa ventilacionim kanalom, ventilator se mora spojiti na izduvni otvor kako bi izduvavao vazduh. Kako biste efikasnije koristili svoj aspirator, pobrinite se da dužina cijevi između aspiratora i izduvnog otvora bude kratka. Vaš uređaj je dizajniran tako da može raditi sa ventilacionim kanalom i bez njega.

Okrugli ugljeni filter

U kuhinjama bez ventilacionog kanala, okrugli ugljeni filter bi trebalo da vraća čist vazduh u kuhinju. Okrugli filter možete kupiti u servisu ili prodavnici.

Upotreba ugljenog filtera

- Naši proizvodi omogućuju postavljanje ugljenog filtera.
- Bez obzira na to da li upotrebljavate ugljeni filter ili ne, filtere za masnoću treba postaviti na uređaj. Ne upotrebljavajte uređaj bez filtera za masnoću.
- Ugljeni filteri se upotrebljavaju na sledeći način:
- Isključite uređaj iz električne mreže prije postavljanja ugljenog filtera.

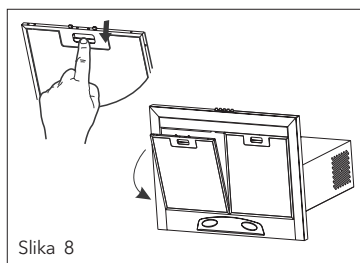
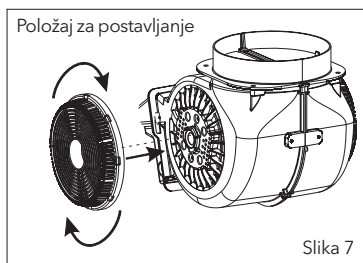
- Ugljeni filter koji se upotrebljava u kuhinjama bez ventilacionog kanala potrebno je zamijeniti svakih 3-5 meseci, zavisno od učestalosti upotrebe.
- Ugljeni filter nikad se ne smije prati.

Postavljanje ugljenog filtera

- Ugljeni filteri se upotrebljavaju u kuhinjama bez ventilacionog kanala.
- Ugljeni filteri postavljaju se na obje strane ventilatora, kako je prikazano na slici.
- 10 zaokretanja za 10 stepeni u smjeru kazaljke na satu (slika 7).
- Kada skidate ugljeni filter, ponovite postupak odvrtići filter u suprotnom smjeru.

Upotreba aluminijumskog kasetnog filtera

Aluminijumski kasetni filter zadržava prašinu i masnoću koja se nalazi u vazduhu. Aspiratori se nikad ne bi smjeli koristiti bez aluminijumskog kasetnog filtera (**slika 8**).



ZAMJENA SIJALICA

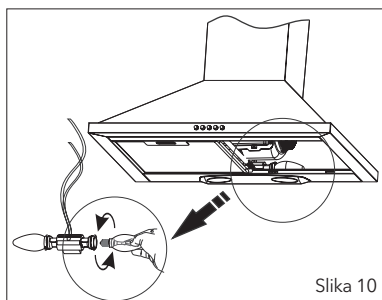
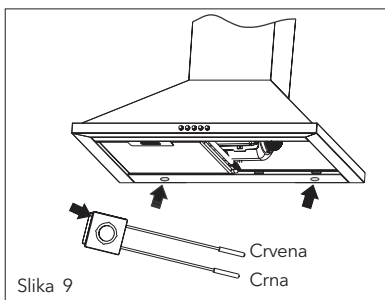
Uvek isključite uređaj iz električne mreže prije izvođenja bilo kakvih popravki.

Led

- Ako LED sijalica ne radi, možete je zamijeniti kako je prikazano na **slici 9**.
- Nova sijalica iz servisnih centara postavlja se na isti način.
- Kablovi su napravljeni u skladu sa grlom. Priključak treba biti po mjeri prethodnog.

Halogena sijalica u obliku svijeće

- Ako sijalica ne radi, možete je zamijeniti kako je prikazano.
- Sijalicu koju ste uklonili treba zamijeniti sijalicom istih karakteristika.
- **Napomena:** Uklonite držač na LED sijalici. Stavite novu LED sijalicu u grlo LED sijalice koju ste uklonili, kako je prikazano na **slici 10**.



ODRŽAVANJE KUHINJSKOG ASPIRATORA

- Uređaj mora biti isključen iz električne mreže ili ugašen na prekidaču prije početka čišćenja i održavanja.
- Metalne filtere treba oprati jednom mjesečno uz pomoć sapuna ili u mašini za pranje posuda, ako je moguće (60°C).
- Uklonite aluminijumski kasetni filter pritiskom na hvataljke sa strane. Ne vraćajte filter na mjesto prije nego što ga osušite nakon pranja.
- Spoljnu površinu ventilatora treba brisati vlažnom krpom sa malo sapuna. Pobrinite se da električni dijelovi ne dođu u kontakt sa vodom ili sličnim proizvodima.
- Za proizvode od inoksa, upotreba proizvoda za čišćenje i održavanje inoksa osiguravae dugotrajniju upotrebu Vašeg uređaja.
- Aluminijumski filteri se mogu prati u mašini za pranje posuda. Nakon nekoliko pranja, aluminijumski filteri mogu promijeniti boju. To je normalna pojava i filteri se ne moraju mijenjati zbog toga.



UPOZORENJE!

Uređajem je potrebno oprezno postupati kada se koristi sa uređajima koji koriste gorivo (plin, dizel-gorivo, ugalj ili drvo, bojler itd.) i vazduh iz prostorije. Aspirator koji izduvava vazduh van prostorije može negativno uticati na proces gorenja.

Ovo upozorenje ne odnosi se na uređaje bez ventilacionih kanala.

Efikasna upotreba kuhinjskog aspiratora

- Prilikom postavljanja aspiratora na ventilacioni kanal, upotrebljavajte cijevi prečnika 150/120 mm i nastojite da savijanje cijevi svedete na najmanji mogući broj.
- Pridržavajte se vremenskih preporuka za čišćenje metalnih filtera i zamjenu ugljenih filtera.
- Kada Vam nije potrebno jako usisavanje vazduha, koristite uređaj na srednjoj brzini.
- Za ispravnu ventilaciju, zatvorite prozore u kuhinji koji dovode spoljni vazduh.

AKO KUHINJSKI ASPIRATOR NE RADI

Prije nego što se obratite servisu, uvjerite se da je uređaj uključen u električnu mrežu i da osigurač električne instalacije radi. Ne činite ništa čime biste mogli oštetiti uređaj.

Servis i rezervni delovi

Rezervne djelove za svoj uređaj možete kupiti u lokalnim prodavnicama ili ovlaštenim servisima. U paketu sa uređajem nalazi se i popis ovlaštenih serviser.

Kada se obratite svom serviseru ili trgovcu u vezi sa rezervnim djelovima, obavijestite ga o nazivu modela uređaja koji piše na deklaraciji. Kada uklonite aluminijumski filter, vidjećete deklaraciju. Prije kontaktiranja sa servisom, provjerite funkcije svog aspiratora u tablici ispod. Ako se problem ne ukloni, obratite se trgovcu ili ovlaštenom servisu.

	Provjerite da li je uređaj uključen na električnu mrežu (glavna voltaža treba da bude 220-240 V; aspirator treba da bude uključen u utičnicu sa uzemljenjem).	Provjerite sklopku motora. (Treba da bude uključena.)	Provjerite aluminijumski filter. (Treba se prati jednom mjesečno za pravilno korišćenje).	Proverite aluminijumski filter. (Treba se prati jednom mesečno za pravilno korišćenje).	Provjerite sijalice. (Sijalice bi trebalo da budu ispravne.)	Provjerite izduvni otvor. (Ne smije da bude blokiran.)	Provjerite ugljeni filter. (Ugljeni filteri moraju se mijenjati svaka tri mjeseca radi ispravne upotrebe.)
Aspirator ne radi.	●	●					
Sijalica ne radi.	●		●		●		
Usisna snaga aspiratora je slaba.				●		●	●
Ne izduvava vazduh napolju.				●			●

EKOLOŠKO ODLAGANJE



Pakovanje odložite na ekološki način.

Ovaj uređaj posjeduje etikete u skladu sa Direktivom Evropske unije 2012/19/EU u vezi sa korišćenim električnim i elektronskim uređajima (otpad elektronske i električne opreme - WEEE). Smjernica određuje okvir za vraćanje i reciklažu korišćenih uređaja, kao što je primjenljivo u EU.

INFORMACIJE O PAKOVANJU

Materijali za pakovanje proizvoda napravljeni su od materijala koji se može reciklirati u skladu sa našim Nacionalnim propisima o zaštiti životne sredine. Ne odlažite materijale za pakovanje zajedno sa domaćim i ostalim otpadom. Odnosite ih na tačke prikupljanja materijala za pakovanje koje postave lokalne vlasti.

Cenjeni kupci,

Srdačno Vam zahvaljujemo što ste izabrali ovaj uređaj.

Preporučujemo Vam da pažljivo pročitate ovaj priručnik i da ga držite pri ruci pre nego što počnete koristiti kuhinjski aspirator. Tako biste osigurali da proizvod ostane kvalitetan kao i prvog dana i da bi Vam služio na najefikasniji način.

NAPOMENA

Ovaj priručnik za upotrebu odnosi se na nekoliko različitih modela. Vaš uređaj ne mora sadržavati sve karakteristike navedene u Priručniku. Takve karakteristike označene su zvezdicom (*).

Naši uređaji su dizajnirani za kućnu upotrebu i nisu namenjeni profesionalnoj upotrebi.

MOLIMO VAS PROČITAJTE UPUTSTVA PRE POSTAVLJANJA ILI UPOTREBE UREĐAJA

Ovaj uređaj proizveden je u ekološki prijateljskim i modernim fabrikama bez štetnog delovanja na okolinu.

Uređaj je u skladu sa EEE direktivama

SIGURNOSNA UPUTSTVA

1. Ovaj proizvod je namenjen za kućnu upotrebu.
2. Voltaža proizvoda iznosi 220–240 volti 50 Hz.
3. Kabl za napajanje Vašeg uređaja opremljen je utikačem sa uzemljenjem i obavezno se mora uključiti u utičnicu sa uzemljenjem.
4. Sve električne instalacije mora obaviti kvalifikovani električar.
5. Ako instalaciju obavi nekvalifikovana osoba, može doći do smanjene efikasnosti uređaja, njegovog oštećenja ili nezgode.
6. Kabl za napajanje ne sme se gnječiti ili lomiti. Takođe, ne sme biti preblizu ploče za kuvanje i sl., jer se može istopiti i izazvati požar.
7. Ne spajajte uređaj na električnu mrežu pre završetka instalacije.
8. Pobrinite se da glavna sklopka bude lako dostupna u slučaju potrebe za brzim isključenjem uređaja.
9. Ne dirajte sijalice na uređaju koji je uključen neko vreme. Sijalice će se zagrejati i mogu Vas opeći.
10. Kuhinjski aspiratori namenjeni su kućnoj upotrebi. Ako se koriste u druge svrhe, na njima mogu nastati oštećenja koja neće biti pokrivena garancijom.
11. Sledite uputstva i pravila ovlašćenih servisa o izduvavanju vazduha. (Ovo upozorenje ne odnosi se na kuhinjske aspiratore bez ventilacionog kanala.)
12. Hrana koja se može zapaliti se ne sme kuvati ispod uređaja.
13. Uključite uređaj nakon postavljanja šerpi, tiganja i dr. na ploču za kuvanje.
14. U protivnom, prevelika toplota mogla bi da deformiše delove Vašeg uređaja.
15. Ne ostavljajte vruće ulje na ploči za kuvanje. Posude sa vrućim uljem mogu se zapaliti.
16. Prilikom kuvanja, tj. prženja u „dubokom“ ulju, vruće ulje može se zapaliti. Pazite na zavese i druge platnene materijale.
17. Zamenite filtere u preporučenom roku. Filteri koji se ne zamene na vreme predstavljaju opasnost od požara zbog povećanja masnoće na njima.
18. Nemojte koristiti materijale neotporne na vatru umesto filtera.
19. Držite potencijalno opasan ambalažni materijal daleko od dece.
20. Nemojte koristiti uređaj bez filtera; nemojte skidati filtere dok je uređaj uključen.
21. U slučaju požara, isključite aspirator i šporet. (Izvcite utikače iz struje.)
22. Isključite ringlu/ringle (plamenike) pre nego što sklonite šerpe, tiganje i sl.
23. Ako ga redovno ne čistite, Vaš uređaj predstavljaće rizik za požar. Isključite uređaj iz električne mreže pre bilo kakvog održavanja. (Izvcite utikač kabla za napajanje iz utičnice.)
24. Za kuhinjske aspiratore sa ventilacionim kanalom koji izduvava vazduh napolje, koristite cevi prečnika 150 ili 120 mm. Nastojite minimizirati udaljenost cevi sa najmanjim mogućim brojem savijanja.
25. Pobrinite se da se Vaša deca ne igraju uređajem. Ne dopuštajte deci da upravljaju njime.
26. Ako je kabl za napajanje oštećen, zamenu treba da izvrši proizvođač, njegov ovlašćeni serviser ili

kvalifikovana osoba kako bi se uklonio rizik od opasnosti.

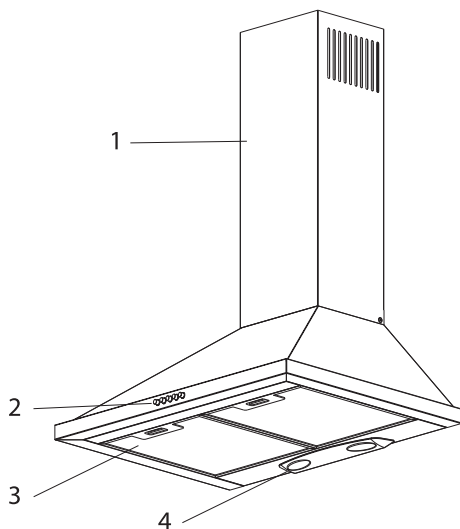
27. U slučaju pojave vatre, isključite aspirator i šporet iz struje i pokrijte plamen. Nemojte vatru gasiti vodom.

28. Instalirajte MAX6A osigurač za ventilator.

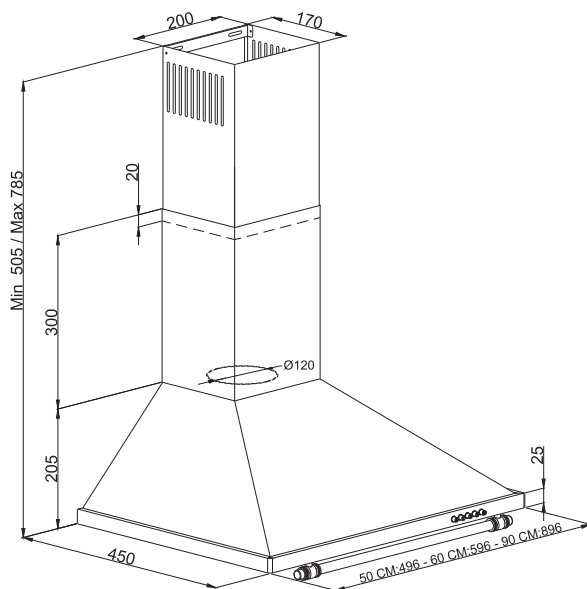


Instalirajte MAX6A osigurač za ventilator.

UVOD I GRAFIČKI PRIKAZ KUHINJSKOG ASPIRATORA

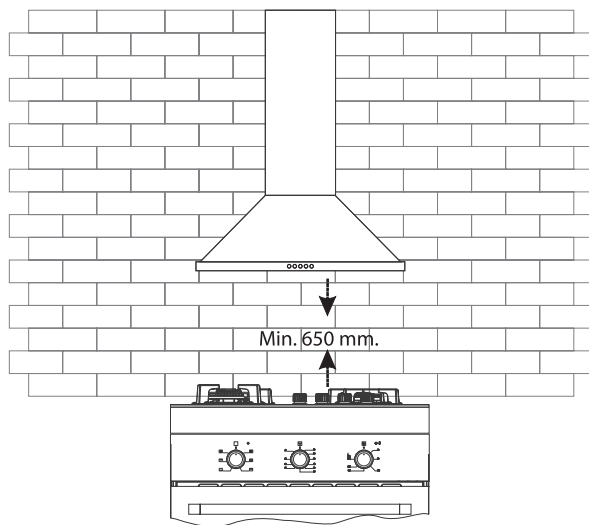


1. Ventilacioni kanal
2. Kontrolna tabla
3. Filter
4. Svetlo



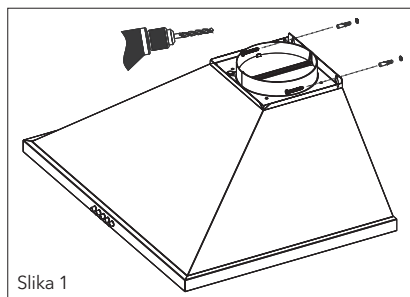
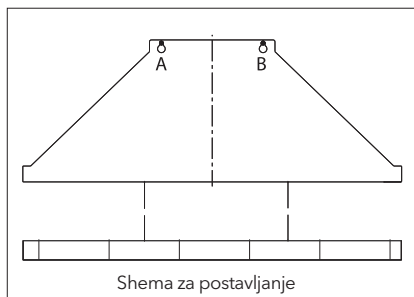
POSTAVLJANJE KUHINJSKOG ASPIRATORA

Položaj kuhinjskog aspiratora



Postavljanje kuhinjskog aspiratora na zid

Dva zidna tipla (8mm) postaviti u rupe izbušene prema shemi za postavljanje (A,B). Učvrstiti ih na zid vijcima kroz dve rupe, kako je prikazano na **slici 1**.

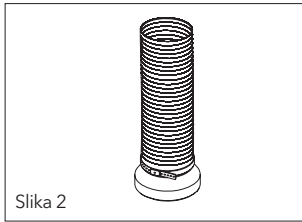


Postavljanje aluminijumske cevi

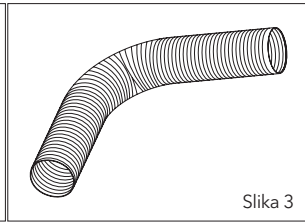
Postavite aluminijumsku cev na plastični ventilacioni kanal. Postavite drugi kraj cevi na izduvni otvor u kuhinji (**slika 2**). Zakretanje i savijanje aluminijumske cevi može smanjiti usisavanje vazduha, stoga izbegavajte nepotrebno zakretanje i savijanje cevi koliko god je moguće (**slike 3 i 4**).

Pažljivo postavite unutrašnji i spoljni ventilacioni kanal na uređaj.

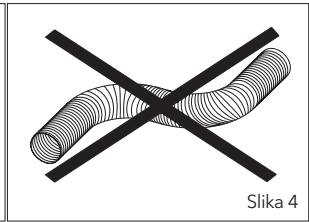
Pričvrstite unutrašnji ventilacioni kanal za njegove nosače sa dva vijka.



Slika 2



Slika 3



Slika 4

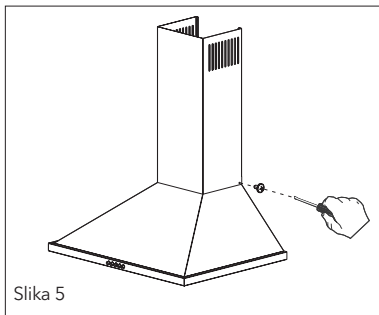
Postavljanje spoljnog ventilacionog kanala

Postavite spoljni ventilacioni kanal na aspirator i pričvrstite ga uz pomoć dva vijka (**slika 5**).

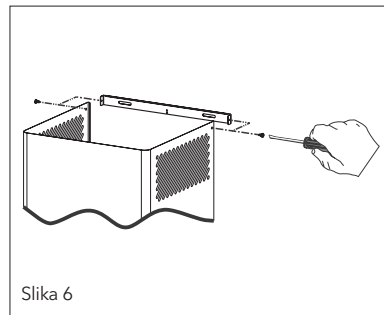
Postavljanje montažnog nosača unutrašnjeg ventilacionog kanala

Pomoću električne bušilice prečnika 6 mm na zidu na odgovarajućoj visini i mestu izbušiti dve rupe za postavljanje i fiksiranje nosača unutrašnjeg ventilacionog kanala na zid. U tim rupama postaviti zidne tiplove prečnika 6 mm i na njih pričvrstiti zidne nosače unutrašnjeg ventilacionog kanala (**slika 6**).

U poslednjem koraku postavljanja aspiratora, unutrašnji ventilacioni kanal pričvršćuje se na montažne nosače tog kanala.



Slika 5



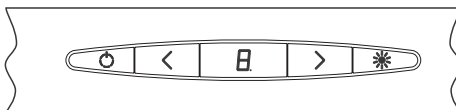
Slika 6



Unutrašnji ventilacioni kanal ne nalazi se nužno u Vašem kompletu; to zavisi od modela uređaja.







FUNKCIJE KUHINJSKOG ASPIRATORA

Kontrolna tabla



Digitalno upravljanje: pritisnite simbole na tasterima. (Taster za uključivanje/ isključivanje i vreme nalaze se na istom tasteru; pritisak od 1 sekunde ugasiće uređaj, pritisak od 3 sekunde aktiviraće 15-minutni tajmer.

Funkcije simbola

	Uključivanje i isključivanje motora (izuzevši svetlo)		Povećavanje brzine rada motora.
	Smanjivanje brzine rada motora		Ako se pritisne 3 sekunde, motor će se ugasi nakon 15 minuta.
	Ekran		Uključivanje i isključivanje

NAPOMENA

Kada je uređaj u upotrebi duže vreme, aluminijumski filter se uprlja i digitalni ekran pokazuje „C“, odnosno znak da je potrebno očistiti filter. Za uklanjanje oznake „C“ sa ekrana držite pritisnut taster za smanjenje brzine 5 sekundi.

Taster na pritisak: Pritisak na taster aktiviraće različite funkcije. Kako biste ih zaustavili, pritisnite taster OFF (isključiti).



OFF	Isključivanje motora uređaja, izuzevši svetlo.	MAX	Najveća brzina
MIN	Najmanja brzina		Uključivanje i isključivanje svetla
MID	Srednja brzina		

UPRAVLJANJE KUHINJSKIM ASPIRATOROM

Aspiratori se koriste u kuhinjama sa ventilacionim kanalom i bez njega.

Upotreba kuhinjskog aspiratora sa ventilacionim kanalom

Kod upotrebe sa ventilacionim kanalom, ventilator se mora spojiti na izduvni otvor kako bi izduvavao vazduh. Kako biste efikasnije koristili svoj aspirator, pobrinite se da dužina cevi između aspiratora i izduvnog otvora bude kratka. Vaš uređaj je dizajniran tako da može raditi sa ventilacionim kanalom i bez njega.

Okrugli ugljeni filter

U kuhinjama bez ventilacionog kanala, okrugli ugljeni filter bi trebalo da vraća čist vazduh u kuhinju. Okrugli filter možete kupiti u servisu ili prodavnici.

Upotreba ugljenog filtera

- Naši proizvodi omogućuju postavljanje ugljenog filtera.
- Bez obzira na to da li upotrebljavate ugljeni filter ili ne, filtere za masnoću treba postaviti na uređaj. Ne upotrebljavajte uređaj bez filtera za masnoću.
- Ugljeni filteri se upotrebljavaju na sledeći način:
- Isključite uređaj iz električne mreže pre postavljanja ugljenog filtera.

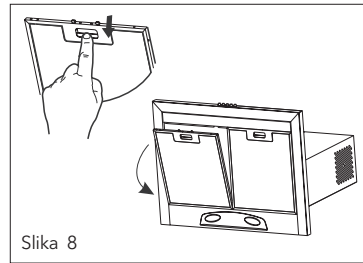
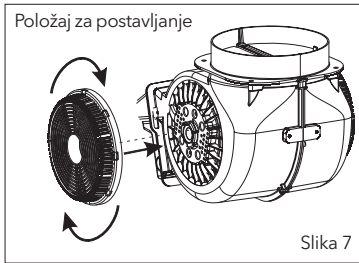
- Ugljeni filter koji se upotrebljava u kuhinjama bez ventilacionog kanala potrebno je zameniti svakih 3-5 meseci, zavisno od učestalosti upotrebe.
- Ugljeni filter nikad se ne sme prati.

Postavljanje ugljenog filtera

- Ugljeni filteri se upotrebljavaju u kuhinjama bez ventilacionog kanala.
- Ugljeni filteri postavljaju se na obe strane ventilatora, kako je prikazano na slici.
- 10 zaokretanja za 10 stepeni u smeru kazaljke na satu (slika 7).
- Kada skidate ugljeni filter, ponovite postupak odvrtići filter u suprotnom smeru.

Upotreba aluminijumskog kasetnog filtera

Aluminijumski kasetni filter zadržava prašinu i masnoću koja se nalazi u vazduhu. Aspiratori se nikad ne bi smeli koristiti bez aluminijumskog kasetnog filtera (**slika 8**).



ZAMENA SIJALICA

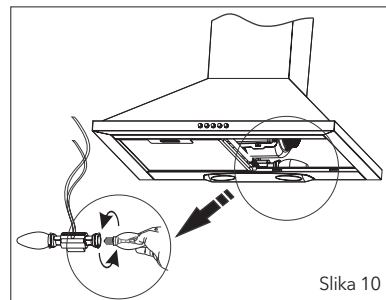
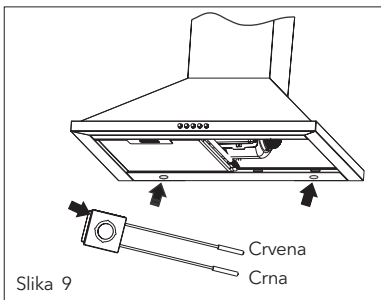
Uvek isključite uređaj iz električne mreže pre izvođenja bilo kakvih popravki.

Led

- Ako LED sijalica ne radi, možete je zameniti kako je prikazano na slici 9.
- Nova sijalica iz servisnih centara postavlja se na isti način.
- Kablovi su napravljeni u skladu sa grlom. Priključak treba biti po meri prethodnog.

Halogena sijalica u obliku sveće

- Ako sijalica ne radi, možete je zameniti kako je prikazano.
- Sijalicu koju ste uklonili treba zameniti sijalicom istih karakteristika.
- **Napomena:** Uklonite držač na LED sijalici. Stavite novu LED sijalicu u grlo LED sijalice koju ste uklonili, kako je prikazano na slici 10.



ODRŽAVANJE KUHINJSKOG ASPIRATORA

- Uređaj mora biti isključen iz električne mreže ili ugašen na prekidaču pre početka čišćenja i održavanja.
- Metalne filtere treba oprati jednom mesečno uz pomoć sapuna ili u mašini za pranje posuda, ako je moguće (60°C).
- Uklonite aluminijumski kasetni filter pritiskom na hvataljke sa strane. Ne vraćajte filter na mesto pre nego što ga osušite nakon pranja.
- Spoljnu površinu ventilatora treba brisati vlažnom krpom sa malo sapuna. Pobrinite se da električni delovi ne dođu u kontakt sa vodom ili sličnim proizvodima.
- Za proizvode od inoksa, upotreba proizvoda za čišćenje i održavanje inoksa osiguravae dugotrajniju upotrebu Vašeg uređaja.
- Aluminijumski filteri se mogu prati u mašini za pranje posuda. Nakon nekoliko pranja, aluminijumski filteri mogu promeniti boju. To je normalna pojava i filteri se ne moraju menjati zbog toga.

UPOZORENJE!

Uređajem je potrebno oprezno postupati kada se koristi sa uređajima koji koriste gorivo (plin, dizel-gorivo, ugalj ili drvo, bojler itd.) i vazduh iz prostorije. Aspirator koji izduvava vazduh van prostorije može negativno uticati na proces gorenja.

Ovo upozorenje ne odnosi se na uređaje bez ventilacionih kanala.

Efikasna upotreba kuhinjskog aspiratora

- Prilikom postavljanja aspiratora na ventilacioni kanal, upotrebljavajte cevi prečnika 150/120 mm i nastojite da savijanje cevi svedete na najmanji mogući broj.
- Pridržavajte se vremenskih preporuka za čišćenje metalnih filtera i zamenu ugljenih filtera.
- Kada Vam nije potrebno jako usisavanje vazduha, koristite uređaj na srednjoj brzini.
- Za ispravnu ventilaciju, zatvorite prozore u kuhinji koji dovode spoljni vazduh.

AKO KUHINJSKI ASPIRATOR NE RADI

Pre nego što se obratite servisu, uverite se da je uređaj uključen u električnu mrežu i da osigurač električne instalacije radi. Ne činite ništa čime biste mogli oštetiti uređaj.

Servis i rezervni delovi

Rezervne delove za svoj uređaj možete kupiti u lokalnim prodavnicama ili ovlašćenim servisima. U paketu sa uređajem nalazi se i popis ovlašćenih serviseru.

Kada se obratite svom serviseru ili trgovcu u vezi sa rezervnim delovima, obavestite ga o nazivu modela uređaja koji piše na deklaraciji. Kada uklonite aluminijumski filter, videćete deklaraciju. Pre kontaktiranja sa servisom, proverite funkcije svog aspiratora u tabeli ispod. Ako se problem ne ukloni, obratite se trgovcu ili ovlašćenom servisu.

	Proverite da li je uređaj uključen na električnu mrežu (glavna voltaža treba da bude 220-240 V; aspirator treba da bude uključen u utičnicu sa uzemljenjem).	Proverite sklopku motora. (Treba da bude uključena.)	Proverite sklopku za svetlo. (Treba da bude uključena.)	Proverite aluminijumski filter. (Treba se prati jednom mesečno za pravilno korišćenje).	Proverite sijalice. (Sijalice bi trebalo da budu ispravne.)	Proverite izduvni otvor. (Ne sme da bude blokiran.)	Proverite ugljeni filter. (Ugljeni filteri moraju se menjati svaka tri meseca radi ispravne upotrebe.)
Aspirator ne radi.	●	●					
Sijalica ne radi.	●		●		●		
Usisna snaga aspiratora je slaba.				●		●	●
Ne izduvava vazduh napolju.				●			●

EKOLOŠKO ODLAGANJE



Pakovanje odložite na ekološki način.

Ovaj uređaj poseduje etikete u skladu sa Direktivom Evropske unije 2012/19/EU u vezi sa korišćenim električnim i elektronskim uređajima (otpad elektronske i električne opreme - WEEE). Smernica određuje okvir za vraćanje i reciklažu korišćenih uređaja, kao što je primenljivo u EU.

INFORMACIJE O PAKOVANJU

Materijali za pakovanje proizvoda napravljeni su od materijala koji se može reciklirati u skladu sa našim Nacionalnim propisima o zaštiti životne sredine. Ne odlažite materijale za pakovanje zajedno sa domaćim i ostalim otpadom. Odnosite ih na tačke prikupljanja materijala za pakovanje koje postave lokalne vlasti.

TESLA

tesla.info